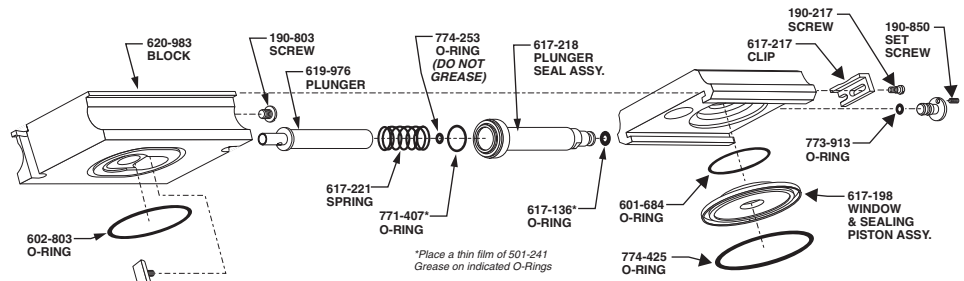
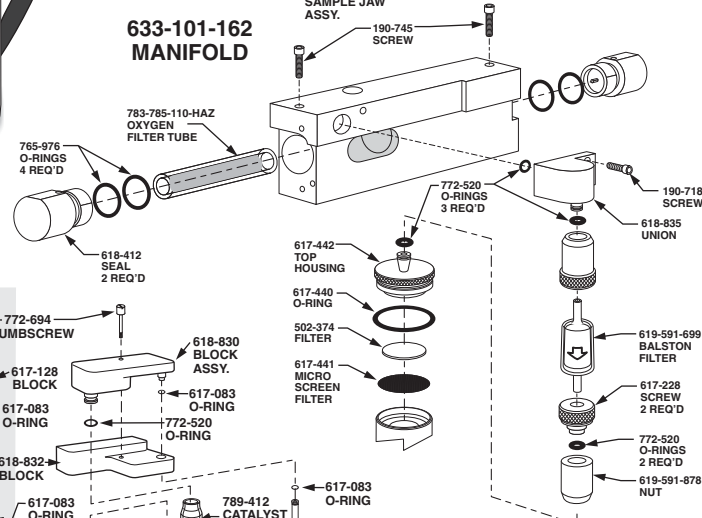


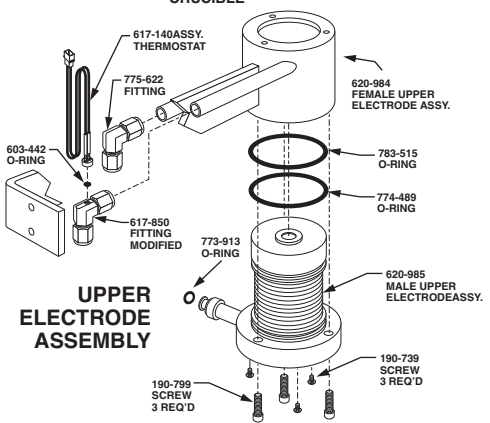
Note: Part numbers and standards' values may change. Consult LECO for the latest information.



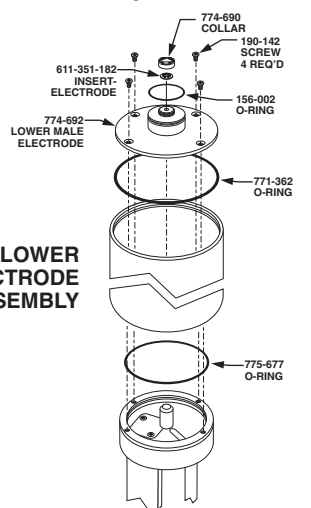
**633-101-162
MANIFOLD**



- 782-703-100 HI-PURITY OUTER GRAPHITE CRUCIBLE
- 775-433 782-703 OUTER GRAPHITE CRUCIBLE
- 782-795HD HI-PURITY INNER GRAPHITE CRUCIBLE
- 775-431 775-892 INNER GRAPHITE CRUCIBLE
- 782-720 782-720S 782-720SHD 782-719 HIGH TEMPERATURE GRAPHITE CRUCIBLE
- 776-247 GRAPHITE CRUCIBLE



**UPPER
ELECTRODE
ASSEMBLY**



**LOWER
ELECTRODE
ASSEMBLY**

See reverse side for contact information

FUSION SUPPLIES

501-598	Etchable Nibbled Nickel 100 g bottle
501-073	Graphite Powder 100 g bottle
618-376*	High Temperature Electrode Insert (required for 782-719 or 782-720 Crucibles)
780-890	Crucible 1000/package
780-892	Crucible Cover 1000/package
502-040	Large Tin Capsule 100/bottle
774-693	Lower Electrode Assembly, requires 775-312 O-ring, includes: 774-692 Electrode, 611-351-181 Electrode Insert, 774-690 Knurled Ring (Collar)
502-183	Nickel Capsule 100/bottle
763-029	1.5 g Nickel Baskets 100/bottle
502-345	1.5 g Nickel Baskets Ultra High Purity 100/bottle
502-344	1.0 g Nickel Baskets Ultra High Purity 100/bottle
501-059	Small Tin Capsule 100/bottle

*Not part of 774-693 Assembly

CATALYSTS AND REAGENTS

501-171-HAZ	Anhydrone 454 g (1 lb.) bottle
502-189	Copper Sticks 100 g ampule
502-304	Copper Sticks 100 g bottle
502-304-500	Copper Sticks 500 g bottle
501-621	Copper Turnings 200 g bottle
501-170	Rare Earth Copper Oxide 50 g bottle
501-081	Glass Wool 454 g (1 lb.) box
501-073	Graphite Powder 100 g bottle
502-174-HAZ	Lecosorb 500 g bottle, 20-30 mesh
502-176-HAZ	Lecosorb 500 g bottle, 8-20 mesh

OPERATION ACCESSORIES

766-053	Crucible Tweezers
766-646	Air Filter Coating
775-306	Secondary Filter, 10 micron
775-307	Screen Filter Removal Tool (Thumbscrew)
625-711-599	Coolant Additive
764-078	One gram Weight
783-786-HAZ	Oxygen and Moisture Removal Kit
783-785-110-HAZ	Replacement Tube for 783-786-HAZ Kit
760-138	Sample Tweezers (Straight)
501-241	Vacuum Grease
767-473	Utility Funnel
782-880	Vacuum Cleaner Filter
618-809	Medium Reagent Tube (Glass)

CALIBRATION SAMPLES**STEEL PINS (0.5 gram pin-100/bottle)**

Part No.	ppm Nitrogen	ppm Oxygen
501-550	15-45	15-45
502-102	200-250	25-55
502-494	300-600	30-80

(1 gram pin-100/bottle)

Part No.	ppm Nitrogen	ppm Oxygen
501-643	15-45	15-45
501-644	50-100	50-150
502-193	10-50	—
502-194	65-150	—
502-195	175-300	—
502-197	—	10-50
502-198	—	65-150

502-257	300-600	25-75
502-328	300-600	—

CALIBRATION SAMPLES (continued)**(1 gram pin-454/bottle)**

Part No.	ppm Nitrogen	ppm Oxygen
501-643-100	15-45	15-45

TITANIUM PINS (0.1 gram pin-100/bottle)

Part No.	% Nitrogen	% Oxygen
501-653	0.002-0.005	0.040-0.050
501-657	0.005-0.009	0.070-0.085
501-664	0.012-0.020	0.14-0.16
501-320	0.012-0.020	0.16-0.25
502-201	0.017-0.020	0.250-0.270

HIGH NITROGEN STEEL PINS (0.5 gram pin-100/bottle)

Part No.	% Nitrogen
502-016	0.15-0.25
502-072	0.50-0.55

COPPER PINS (1 gram pin-100/bottle)

Part No.	ppm Oxygen
501-147	175-325
501-148	325-475
501-149	475-700

ZIRCONIUM PINS (0.1 gram pin-100/bottle)

Part No.	% Oxygen
502-047	0.125-0.135

HIGH OXYGEN STANDARDS (10 gram bottle-powder)

Part No.	% Oxygen
502-138	Iron Oxide III 29.5-30.5
502-139	Silicon Dioxide 53.3
502-140	Zirconium Oxide 25.7-26.3
502-141	Tungsten Trioxide 18.8-20.6

IRON POWDER (35 gram bottle)

Part No.	% Oxygen	% Nitrogen
502-399	1.09%	0.0067%

IRON CHIP (50 g/bottle)

Part No.	Carbon/Sulfur/Nitrogen
502-401	<5 ppm

NICKEL PIN (1 g pin-100 g bottle)

Part No.	ppm Oxygen
502-411	2-8

STEEL PIN (1 g pin-100 g bottle)

Part No.	ppm Nitrogen	ppm Oxygen	ppm Hydrogen
502-416	300-600	25-75	1-6

NOTE: Part numbers and standards' values may change. Consult LECO for latest information.

Please Note: Quartz Tubes are typically utilized for higher temperature applications (i.e. catalyst tubes). Glass reagent/filter tubes are designed for lower temperature applications. Glass tubes should not be used in place of quartz tubes.