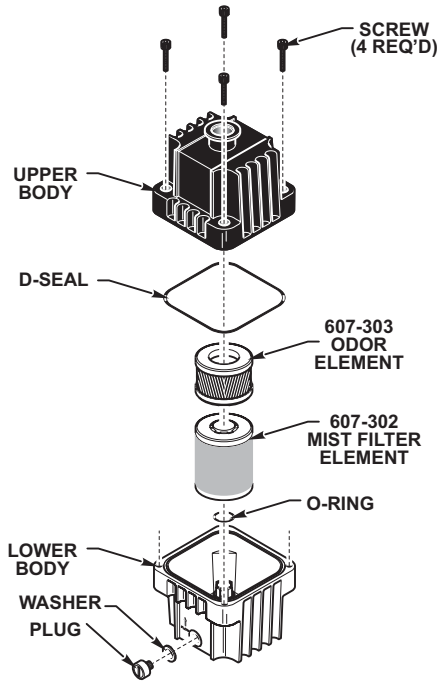
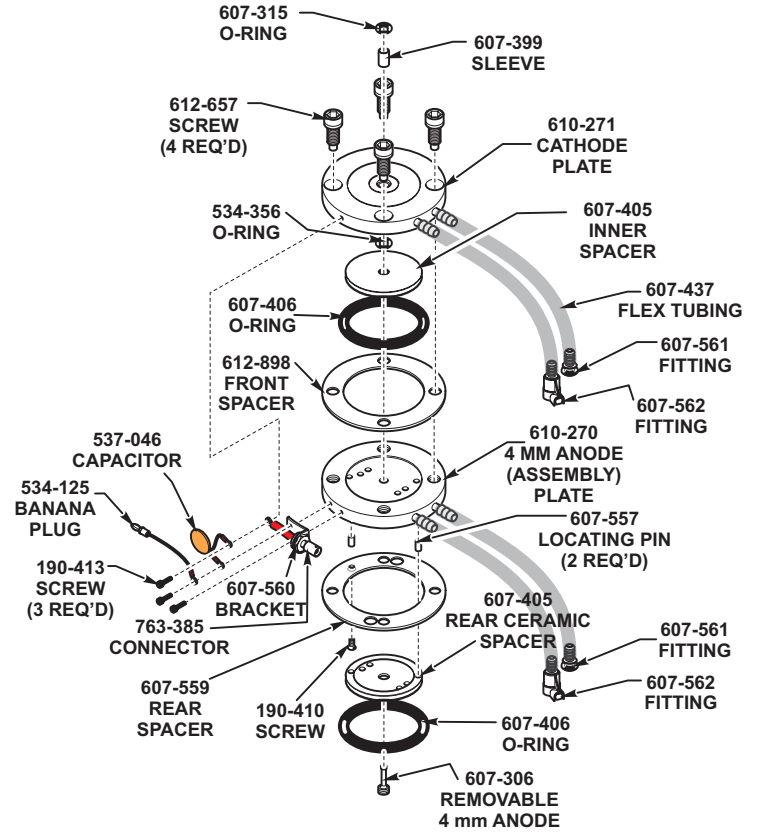


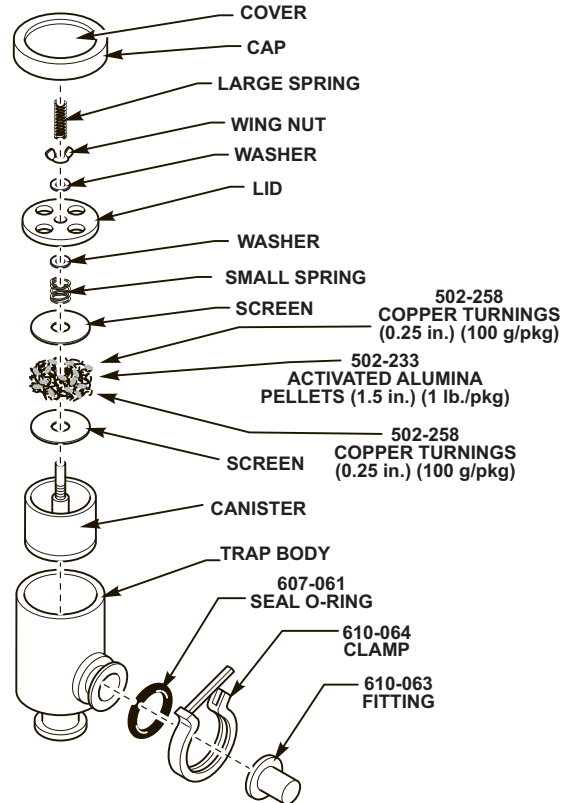
Note: Part numbers and standards' values may change. Consult LECO for the latest information.



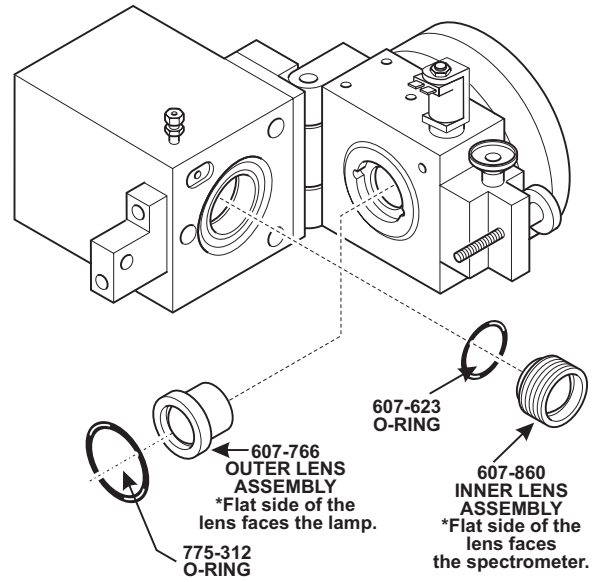
**607-064 MIST FILTER ASSEMBLY**



**607-691 4 MM LAMP ASSEMBLY**



**607-111 OIL VAPOR TRAP ASSEMBLY**



**610-390 LENS BLOCK ASSEMBLY**

\*THIS 4 mm LAMP ASSEMBLY MAY BE CONFIGURED WITH THE OPTIONAL 607-768 2 mm ANODE.

See reverse side for contact information

## CONSUMABLES

502-234-HAZ Alcohol  
502-233 Activated Alumina Pellets (1 lb./pkg)  
502-237 Foam Wipes (25/pkg)  
502-258 Copper Turnings (100 g/pkg)  
534-356 Inner Sleeve O-ring (red)  
607-073 Left Lens Block Door O-ring  
203-913 Printer Paper (5000 sheets)  
607-302 Mist Oil Filter  
607-303 Mist Odor Filter  
621-564 Anode Copper, 4 mm (RF)  
610-387 Anode Ceramic, 4 mm (RF)  
607-306 Anode, 4 mm  
607-315 Outer Sleeve O-ring (blue)  
607-399 Lamp Sleeve, 4 mm  
621-339 Reamer/Facer Bit Assembly, 4 mm  
618-296 Inner Spacer  
607-405 Rear Ceramic Spacer  
607-406 Ceramic Spacer O-ring (red)  
607-623 Inner Lens Assembly O-ring  
612-657 Lamp Bolt  
771-445 Cleaning Port O-ring  
775-312 Lens Keeper to Lamp O-ring  
779-377 Vacuum Pump Oil (400 ml)  
910-000-105 Lens Cleaning Tissue  
619-572 Drill Bit, 4 mm  
615-966 Suprasil Lens (2 required)  
808-724 Mg/FI for use with O and H Elements (2 required)

## SPARES

607-651-120 4 mm Lamp Rebuild Kit  
607-860 Inner Lens Assembly, includes (1) 607-746 Inner Lens Keeper, (1) 615-966 Suprasil Lens  
607-766 Outer Lens Assembly, includes (1) 607-499 Outer Lens Keeper, (1) 607-767 Outer Lens Body Holder, (1) 615-966 Suprasil Lens  
621-564 RF Metal Anode  
621-564 4 mm RF Anode  
610-372 4 mm DC-RF Lamp  
607-768-110 2 mm DC Kit  
607-768 2 mm DC Anode

## OPTIONS

607-768-110 2 mm Anode Kit, DC  
607-772-110 2.5 mm Anode Kit, DC  
612-933 Reamer (Drill Kit) - Soft Materials (4 mm Source)  
612-708 Sample Holder Assembly, 2 mm, Wires  
612-798 Sample Holder Assembly, 13 mm, Briquettes  
612-774 Sample Holder Assembly, Porous Samples  
612-775 Sample Holder Assembly, TRS Bar Holder  
607-769 Reamer Assembly, 2 mm  
621-564 Anode Removable, RF  
607-768 Anode Removable, 2 mm  
610-372 4 mm RF Lamp  
607-768-110 Anode Kit, 2 mm

## TOOLS

612-399 Anode Depth Gauge  
617-274 Anode Alignment/Sleeve Removal Tool  
612-799 Sleeve Removal Tool  
607-312 Magnetic Sample Holder

## PRINTER CARTRIDGES

611-227 HP-600, Black  
611-228 HP-600, Color  
614-459 HP-700/800, Black  
614-460 HP-700/800, Color  
620-632 HP-950 Series, Color  
601-484 Printer Ribbon, Dot Matrix

*NOTE: Part numbers and standards' values may change. Consult LECO for latest information.*

### United States:

Ph: 1-800-292-6141  
Fax: 269-982-8977

### Canada:

Ph: 1-800-268-0215  
Fax: 905-564-6582

represented by:

### Other Countries:

Ph: 269-983-5531  
Fax: 269-983-3850

© 2010 LECO Corporation