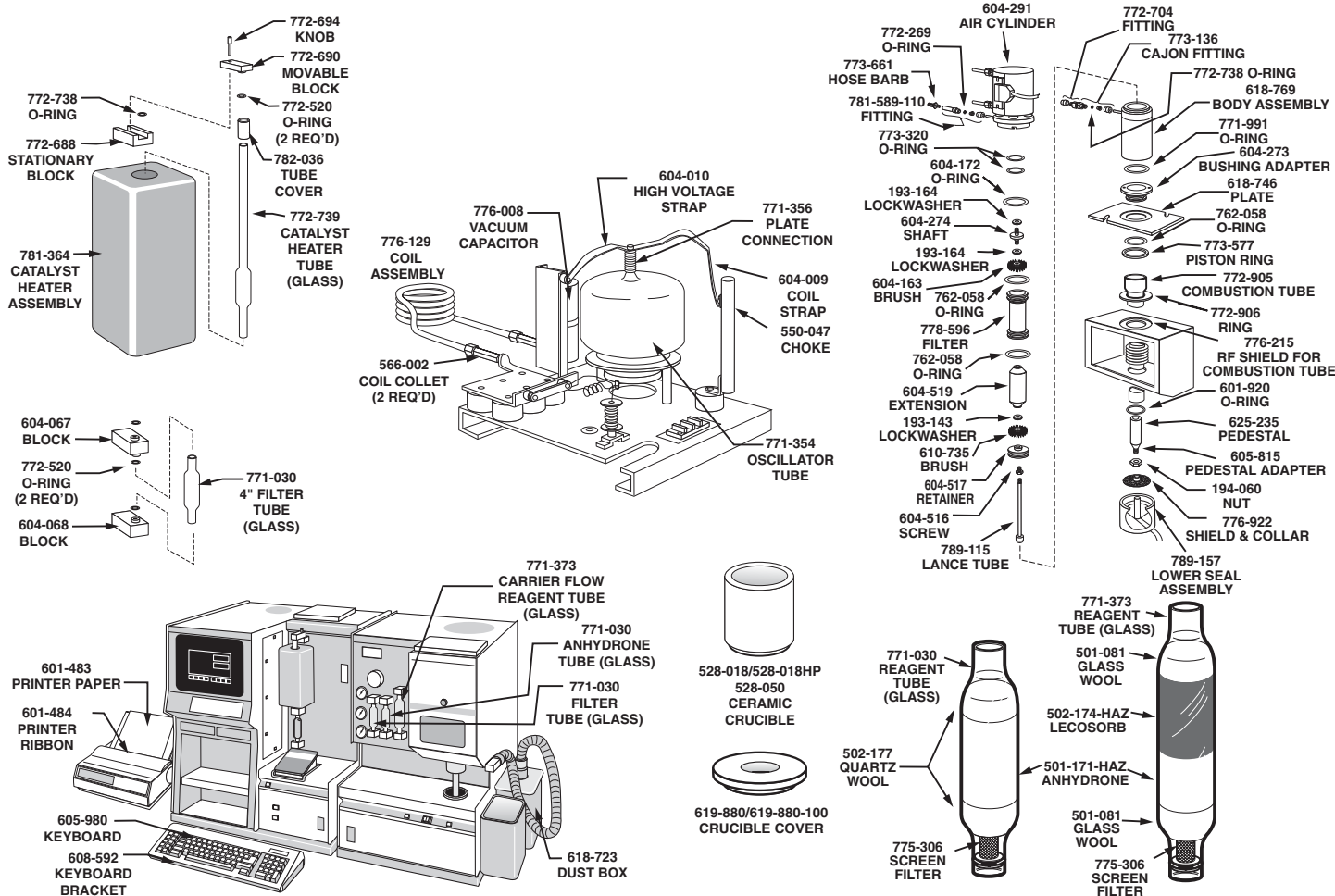


Note: Part numbers and standards' values may change. Consult LECO for the latest information.



COMBUSTION SUPPLIES

- 528-018 Ceramic Crucible 1000/box
- 528-018HP 0 Sulfur Blank 1000/box
- 528-050 Ceramic Crucible 500/box, bags of 50
- 619-880 Ceramic Crucible Cover with Hole, 1000/box
- 619-880-100 Ceramic Crucible Cover with Hole, 100/box
- 772-905 Combustion Tube (Quartz)
- 778-596 Filter Screen (SST Filter)
- 772-381 Lance Cleaning Wire
- 789-115 Lance Tube
- 610-735 Lower Cleaning Brush (Reworked Brush)
- 762-058 O-ring
- 625-235 Silicon Nitride Combustion Pedestal, requires 605-814 Pedestal Assembly with: 194-060 Hex Nut, 605-815 Adapter Support, 776-922 Shield and Collar
- 601-920 Silicone Rubber Ring Seal (O-ring)
- 772-906 Teflon Support Ring (Combustion Tube Ring)
- 782-880 Vacuum Cleaner Filter
- 501-082 Wire Cleaning Brush

ACCELERATORS

- 502-492 Copper Accelerator HP (0.44 lb./200 g)
- 501-263 Copper Metal Accelerator 1.36 kg (3 lb.) bottle
- 501-640 Copper Metal Accelerator 9 kg (20 lb.) container
- 501-264 Copper Metal Accelerator 227 g (0.5 lb.) bottle
- 502-231 High Purity Iron Accelerator 454 g (1 lb.) bottle

ACCELERATORS (cont'd)

- 501-077 Iron Chip Accelerator 0.9 kg (2 lb.) bottle
- 763-026 LECOCEL[®] 13.6 kg (30 lb.) container
- 763-266 LECOCEL[®] 2.27 kg (5 lb.) bottle
- 502-297 LECOCEL[®] II (30 lb./13.6 kg)
- 501-008 LECOCEL[®] II 2.27 kg (5 lb.) bottle
- 502-173 LECOCEL[®] II HP 750 g (1.7 lb.) bottle
- 763-263 LECOCEL[®] III 2.27 kg (5 lb.) bottle
- 763-027 LECOCEL[®] III 13.6 kg (30 lb.) container

CATALYSTS AND REAGENTS

- 501-171-HAZ Anhydron 454 g (1 lb.) bottle
- 764-098 Cellulose 454 g (1 lb.) package
- 501-081 Glass Wool (1 lb./454 g)
- 502-174-HAZ Lecosorb 500 g bottle, 20–30 mesh
- 502-176-HAZ Lecosorb 500 g bottle, 8–20 mesh
- 501-587 Platinum/Silica 15 g bottle
- 502-177 Quartz Wool 50 g package
- 501-170 Rare Earth Copper Oxide 50 g bottle

Please Note: Quartz Tubes are typically utilized for higher temperature applications (i.e. catalyst tubes). Glass reagent/filter tubes are designed for lower temperature applications. Glass tubes should not be used in place of quartz tubes.

See reverse side for contact information

REAGENT TUBES

771-030	Glass Tube, requires two (2) 772-520 O-rings for sealing
771-373	Glass Tube, requires two (2) 772-520 O-rings for sealing
604-112	Quartz Catalyst Tube, requires two (2) 772-520 O-rings for sealing, and a 772-738 O-ring for the removable block
772-739	Glass Catalyst Tube, requires two (2) 772-520 O-rings for sealing, and a 772-738 O-ring seals the removable block

OPERATION ACCESSORIES

768-980	Balston Filter
761-929	Crucible Tongs
780-460	Dust Shield
775-307	Filter Removal Tool (Thumbscrew)
775-306	Secondary Filter, 10 micron
503-032	Glass Accelerator Scoop
773-579	Metal Accelerator Scoop
764-078	One gram Weight
601-483	Printer Paper
601-484	Printer Ribbon
760-138	Sample Tweezers, Straight
501-241	Vacuum Grease

CALIBRATION SAMPLES**STEEL PINS (1 g pin—454 g/bottle)**

Part No.	% Carbon	% Sulfur
501-674	0.015–0.035	0.005–0.025
501-675	0.050–0.080	0.005–0.025
501-676	0.09–0.15	0.005–0.025
501-677	0.30–0.40	0.005–0.025
501-678	0.50–0.60	0.005–0.025
501-679	0.85–1.00	0.005–0.025
502-449	0.04–0.065	0.280–0.365

STEEL RINGS (1 g ring—454 g/bottle)

Part No.	% Carbon	% Sulfur
501-501	0.0200–0.0400	0.005–0.030
501-502	0.04–0.10	0.005–0.030
501-503	0.10–0.25	0.005–0.030
501-504	0.25–0.50	0.005–0.030
501-505	0.50–0.80	0.005–0.030
501-506	0.80–1.00	0.005–0.030
502-271	0.030–0.080	0.150–0.250
502-280	—	0.075–0.150
502-364	0.80–1.0	—

CALIBRATION SAMPLES (cont'd)**ORE (Drill Tailings) (25 g/bottle)**

Part No.	Type	% Carbon	% Sulfur
502-318		0.25–0.75	0.25–0.75
502-319		1.25–1.75	1.25–1.75
502-320		4.25–5.25	4.25–5.25
502-372		6.75–7.75	3.00–4.00

COPPER PINS (100 g/bottle)

Part No.	Type	ppm Carbon	ppm Sulfur
502-403		—	5.0–15.0

STEEL (100 g/bottle)

Part No.	Type	% Carbon	% Sulfur
502-348	Low C/S	0.0005–0.0015	0.0005–0.0015
502-475	Low C/S	0.0039	0.0005

STEEL (150 g/bottle)

Part No.	Type	% Carbon	% Sulfur
502-808	Silicon	0.019	0.0090

IRON CHIP (454 g/bottle)

Part No.	Type	% Carbon	% Sulfur
501-673	Low C/S	0.0004–0.0015	0.0005–0.0025

TUNGSTEN CARBIDE (100 g/bottle)

Part No.	% Carbon
501-123	6.00–6.25

SWEDEN (JERNKONTORETS) (150 g/bottle)

Part No.	Std. No.	Type	% Carbon	% Sulfur
501-714	24	Low Alloy Steel	0.1744	0.0010
501-718	40	Low Alloy Steel	0.793	0.200

UNITED KINGDOM (BAS) (100 g/bottle)

Part No.	Std. No.	Type	% Carbon	% Sulfur
501-801	489-1	White Cast Iron	2.860	0.155

IRON CHIP (50 g/bottle)

Part No.	Carbon/Sulfur/Nitrogen
502-401	<5 ppm

STEEL PIN (1 g pin—100 g bottle)

Part No.	ppm Carbon	ppm Sulfur
502-412	50–100	50–100

STAINLESS STEEL PELLET (1 g pellet—100 g bottle)

Part No.	% Carbon	% Sulfur
502-414	0.005–0.030%	0.001–0.030%

CAST IRON (250 g bottle)

Part No.	% Carbon	% Sulfur
501-024	3.1–3.5	0.02–0.08

NOTE: Part numbers and standards' values may change. Consult LECO for latest information.

United States:

Ph: 1-800-292-6141
Fax: 269-982-8977

Canada:

Ph: 1-800-268-0215
Fax: 905-564-6582

represented by:

Other Countries:

Ph: 269-983-5531
Fax: 269-983-3850

© 2010 LECO Corporation