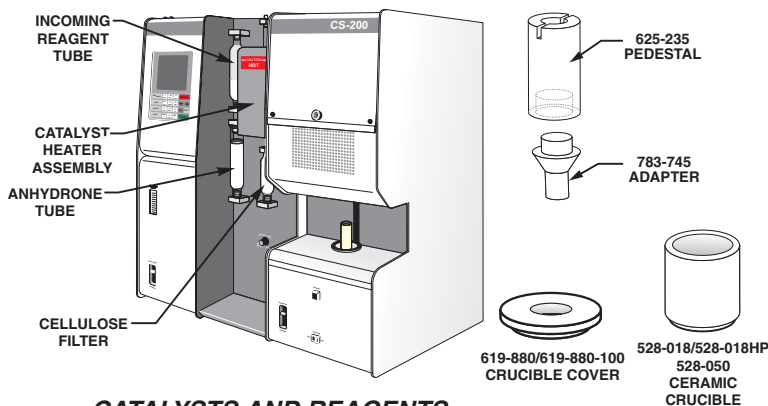
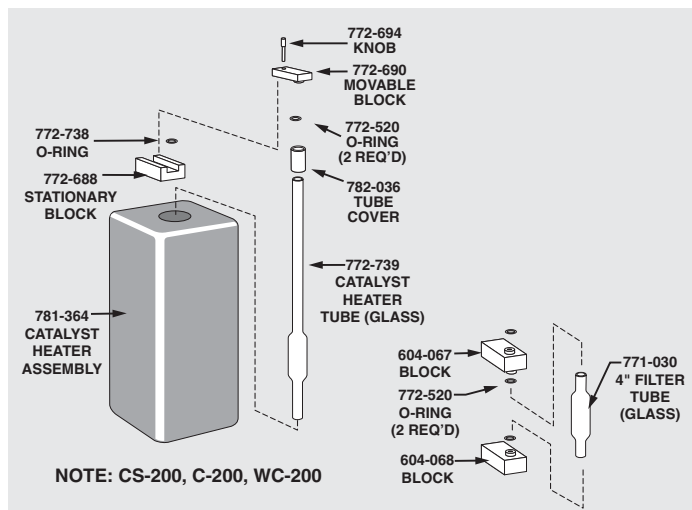
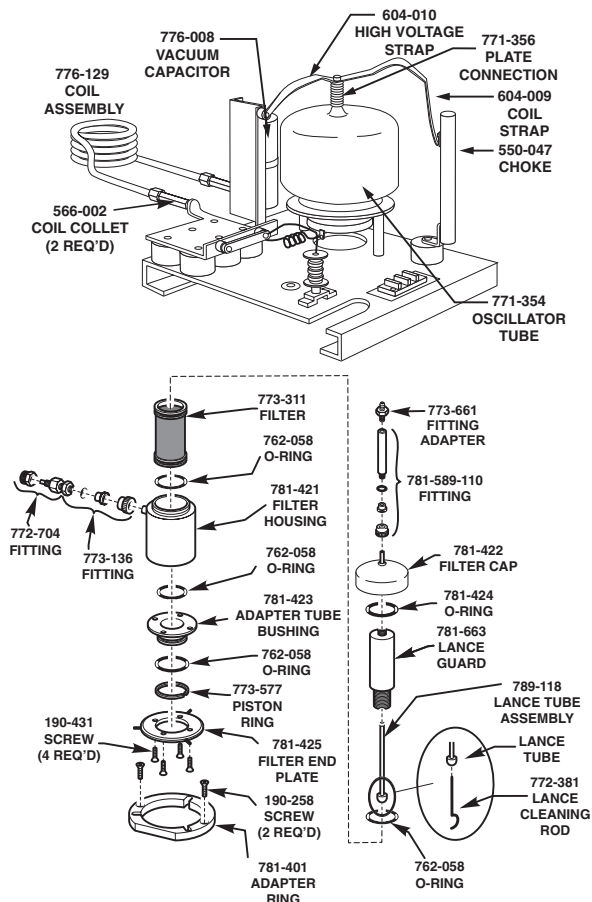


Note: Part numbers and standards' values may change. Consult LECO for the latest information.



**COMBUSTION SUPPLIES**

- 528-018 Ceramic Crucible 1000/box
- 528-018HP 0 Sulfur Blank 1000/box
- 528-050 Ceramic Crucible 500/box, bags of 50
- 619-880 Crucible Cover 1000/Box
- 619-880-100 Crucible Cover 100/Box
- 772-905 Combustion Tube (Quartz)
- 772-906 Combustion Tube Ring
- 601-920 O-ring (Bottom of Combustion Tube)
- 762-058 O-ring (Top of Combustion Tube)
- 501-082 Wire Cleaning Brush

**ACCELERATORS**

- 502-492 Copper Accelerator HP (0.44 lb./200 g)
- 501-077 Fe Chip (2 lb./0.9 kg)
- 763-467 Fe Chip (25 lb./11.35 kg)
- 501-264 Cu Chip (0.5 lb./227 g)
- 502-231 HP Fe (1 lb./0.5 kg)
- 763-026 LECOCEL<sup>®</sup> (30 lb./13.6 kg)
- 763-266 LECOCEL<sup>®</sup> (5 lb./2.27 kg)
- 501-008 LECOCEL<sup>®</sup> II (5 lb./2.27 kg)
- 502-173 LECOCEL<sup>®</sup> II HP (1.7 lb./0.75 kg)
- 502-297 LECOCEL<sup>®</sup> II (30 lb./13.6 kg)
- 763-027 LECOCEL<sup>®</sup> III (30 lb./13.6 kg)
- 763-263 LECOCEL<sup>®</sup> III (5 lb./2.27 kg)

**CATALYSTS AND REAGENTS**

- 501-171-HAZ Anhydron (1 lb./454 g)
- 764-098 Cellulose (1 lb./454 g)
- 501-081 Glass Wool (1 lb./454 g)
- 502-174-HAZ Lecosorb (500 g–20/30 Mesh)
- 501-587 Platinum/Silica (15 g)
- 502-177 Quartz Wool (50 g)

**REAGENT TUBES**

- 601-390 Anhydron Tube (Glass)
- 772-739 Catalyst Heater Tube (Glass)
- 771-030 Cellulose Filter Tube (Glass)
- 605-520-087 O-ring Pack
- 771-373 Reagent Tube–Measure Flow (Glass)

**ACCESSORIES**

- 761-929 Crucible Tong
- 789-149 EMI Gasket
- 503-032 Glass Scoop
- 773-579 Metal Accelerator Scoop, SST
- 760-138 Sample Tweezers
- 775-306 Secondary Filter, 10 micron
- 501-241 Vacuum Grease

Please Note: Quartz Tubes are typically utilized for higher temperature applications (i.e. catalyst tubes). Glass reagent/filter tubes are designed for lower temperature applications. Glass tubes should not be used in place of quartz tubes.

See reverse side for contact information

**CALIBRATION SAMPLES****STEEL PINS (1 g pin—454 g/bottle)**

Part No.	% Carbon	% Sulfur
501-674	0.015–0.035	0.005–0.025
501-675	0.050–0.080	0.005–0.025
501-676	0.09–0.15	0.005–0.025
501-677	0.30–0.40	0.005–0.025
501-678	0.50–0.60	0.005–0.025
501-679	0.85–1.00	0.005–0.025
502-449	0.04–0.065	0.280–0.365

**STEEL RINGS (1 g ring—454 g/bottle)**

Part No.	% Carbon	% Sulfur
501-501	0.0200–0.0400	0.005–0.030
501-502	0.04–0.10	0.005–0.030
501-503	0.10–0.25	0.005–0.030
501-504	0.25–0.50	0.005–0.030
501-505	0.50–0.80	0.005–0.030
501-506	0.80–1.00	0.005–0.030
502-271	0.030–0.080	0.150–0.250
502-280	—	0.075–0.150
502-364	0.80–1.0	—

**STEEL (100 g/bottle)**

Part No.	Type	% Carbon	% Sulfur
502-348	Low C/S	0.0005–0.0015	0.0005–0.0015
502-475	Low C/S	0.0039	0.0005

**STEEL (150 g/bottle)**

Part No.	Type	% Carbon	% Sulfur
502-808	Silicon	0.019	0.0090

**IRON CHIP (454 g/bottle)**

Part No.	Type	% Carbon	% Sulfur
501-673	Low C/S	0.0004–0.0015	0.0005–0.0025

**ORE (Drill Tailings) (25 g/bottle)**

Part No.	Type	% Carbon	% Sulfur
502-318		0.25–0.75	0.25–0.75
502-319		1.25–1.75	1.25–1.75
502-320		4.25–5.25	4.25–5.25
502-372		6.75–7.75	3.00–4.00

**COPPER PINS (100 g/bottle)**

Part No.	Type	ppm Carbon	ppm Sulfur
502-403		—	5.0–15.0

**CALIBRATION SAMPLES (cont'd)****TUNGSTEN CARBIDE (100 g/bottle)**

Part No.	% Carbon
501-123	6.00–6.25

**SWEDEN (JERNKONTORETS) (150 g/bottle)**

Part No.	Std. No.	Type	% Carbon	% Sulfur
501-714	24	Low Alloy Steel	0.1744	0.0010
501-718	40	Low Alloy Steel	0.793	0.200

**UNITED KINGDOM (BAS) (100 g/bottle)**

Part No.	Std. No.	Type	% Carbon	% Sulfur
501-801	489-1	White Cast Iron	2.860	0.155

**IRON CHIP (50 g/bottle)**

Part No.	Carbon/Sulfur/Nitrogen
502-401	<5 ppm

**STEEL PIN (1 g pin—100 g bottle)**

Part No.	ppm Carbon	ppm Sulfur
502-412	50–100	50–100

**STAINLESS STEEL PELLET (1 g pellet—100 g bottle)**

Part No.	% Carbon	% Sulfur
502-414	0.005–0.030%	0.001–0.030%

**CAST IRON (250 g bottle)**

Part No.	% Carbon	% Sulfur
501-024	3.1–3.5	0.02–0.08

*NOTE: Part numbers and standards' values may change. Consult LECO for latest information.*

**United States:**

Ph: 1-800-292-6141  
Fax: 269-982-8977

**Canada:**

Ph: 1-800-268-0215  
Fax: 905-564-6582

represented by:

**Other Countries:**

Ph: 269-983-5531  
Fax: 269-983-3850

© 2010 LECO Corporation