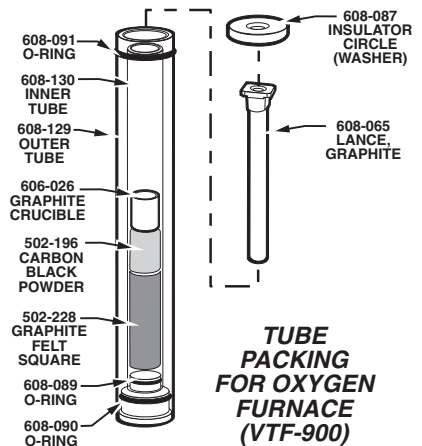
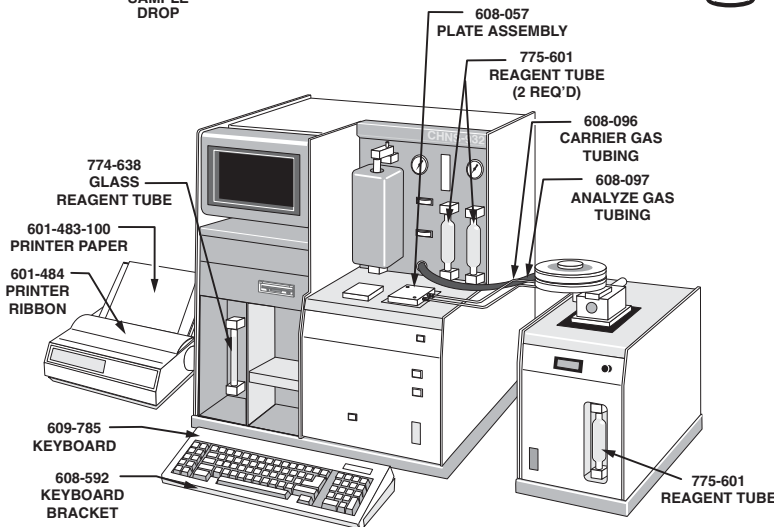
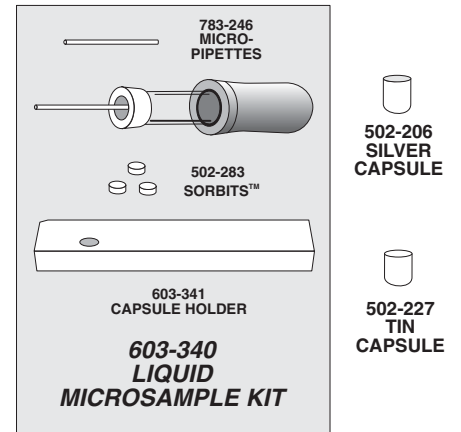
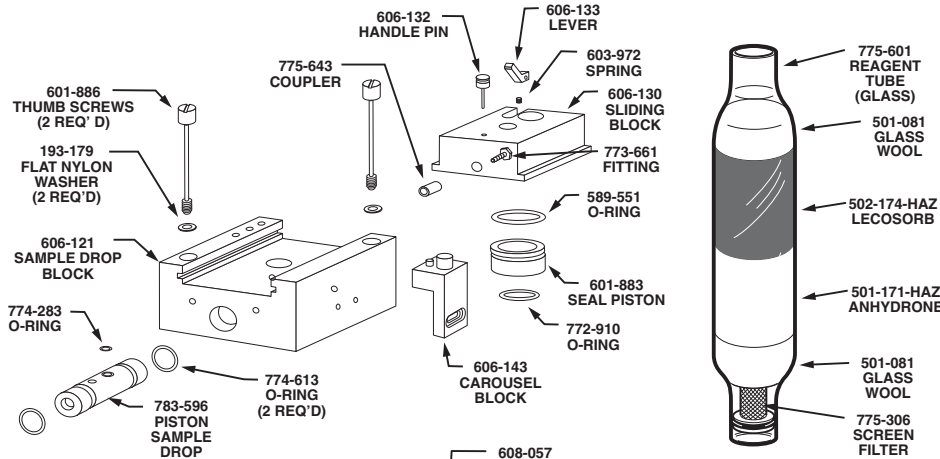
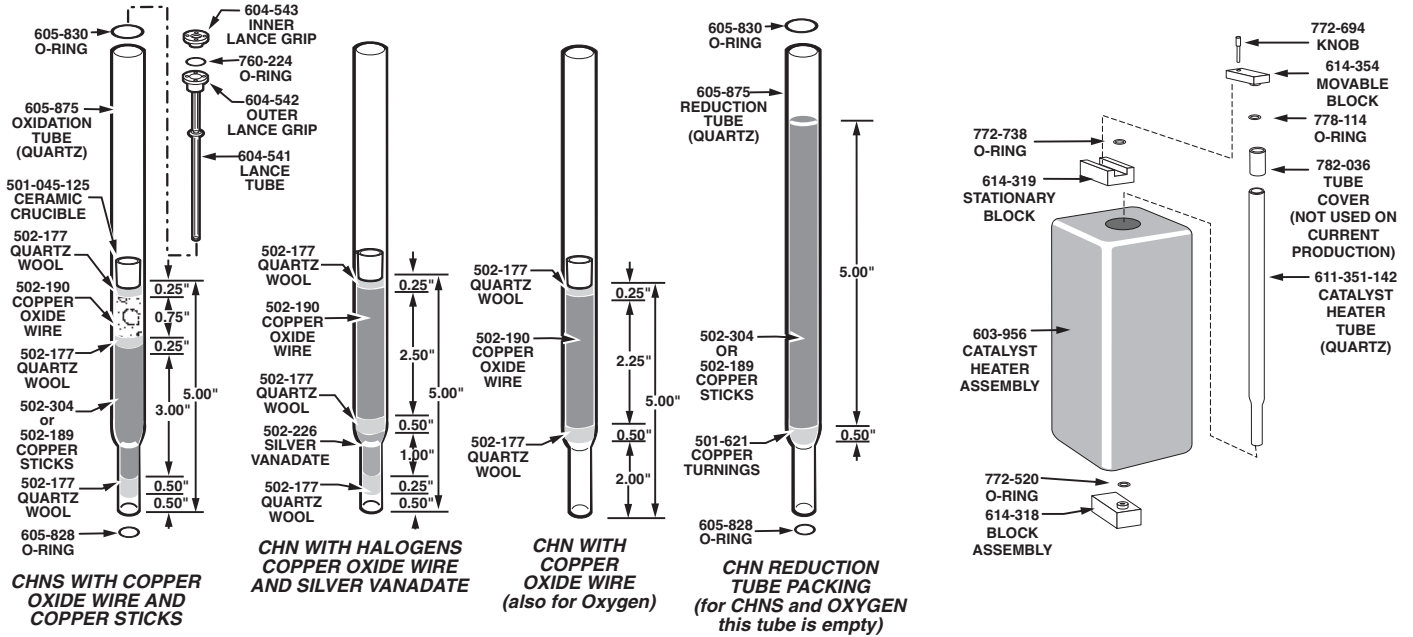


# CHN-900/CHNS-932, VTF-900 Consumables & Spare Parts Reference Card

Note: Part numbers and standards' values may change. Consult LECO for the latest information.



See reverse side for contact information

**COMBUSTION/PYROLYSIS SUPPLIES**

501-171-HAZ	Anhydrone	454 g (1 lb.)	bottle
502-196	Carbon Black	10 g	bottle
502-190	Copper Oxide Wire	100 g	bottle
502-189	Copper Sticks	100 g	ampule
502-304	Copper Sticks	100 g	bottle
501-621	Copper Turnings		
501-081	Glass Wool	454 g (1 lb.)	box
763-265	Glass Wool	227 g (0.5 lb.)	package
606-026	Graphite Crucible	10	/package
502-228	Graphite Pad	1	each
502-174-HAZ	Lecosorb	500 g	bottle
603-340	Microsample Liquid Kit, includes:	500	each
	502-283 Sorbits™ for suspending liquid samples,		
	100 each 783-246 Micro-Pipettes for handling liquid		
	samples, one (1) 603-341 Capsule Holder		
502-177	Quartz Wool	50 g	package
502-206	Silver Capsules	1000	/bottle
502-226	Silver Vanadate	10 g	bottle
502-227	Tin Capsule	500	/bottle
501-045-125	Zircon Crucible	25	/package

**COMBUSTION TUBES/GLASSWARE**

611-351-142	Catalyst Tube, requires one (1) 772-520 Top O-ring, and one (1) 772-520 Bottom O-ring for sealing
608-065	Graphite Lance
608-130	Inner Pyrolysis Tube, requires one (1) 608-089 O-ring
604-540	Lance Assembly, includes: 190-423 Screw (2 req'd), 604-541 Lance, 604-542 Outer Lance Grip Ring, 604-543 Inner Lance Grip, 760-224 O-ring
608-129	Outer Pyrolysis Tube, requires one 608-090 O-ring, and one 608-091 O-ring
774-638	Reagent Tube, requires 772-520 O-rings for sealing
775-601	Reagent Tube, requires 772-520 O-rings for sealing
605-875	Reduction and Oxidation Tube Furnace, requires one 605-828 O-ring, and one 605-830 O-ring

**OPERATION ACCESSORIES**

601-964	Crimping Pliers
616-152	Crucible Extractor Tool
604-538	Filter, 15 micron
775-306	Secondary Filter, 10 micron
775-307	Filter Tool/Thumbscrew
502-023	Funnel, Quick Disconnect
778-321	Lance Extractor Tool
502-213	Leak Detection Solution, 4 oz.
601-483-100	Printer Paper
601-484	Printer Ribbon
608-135	Pyrolysis Tube Extractor Tool Assembly
778-405	Sample Storage Block
501-241	Vacuum Grease, 5.3 oz.
601-982	Spatula, Micro
502-051	Tweezers, Curved

**SET-UP STANDARDS****SUCROSE (20 grams)**

Part No.	% C	% H	% N	% O	% S
501-046	42.10	6.48	—	—	—

**SUCROSE (50 grams)**

Part No.	% C	% H	% N	% O	% S
501-441	42.10	6.48	—	—	—

**SET-UP STANDARDS (continued)****POTASSIUM BIPHTHALATE (20 grams)**

Part No.	% C	% H	% N	% O	% S
501-048	47.05	2.47	—	—	—

**ACETANILIDE (10 grams)**

Part No.	% C	% H	% N	% O	% S
501-053	71.09	6.71	10.36	11.84	—

**BENZOIC ACID (10 grams)**

Part No.	% C	% H	% N	% O	% S
502-184	68.85	4.92	—	26.23	—

**EDTA (50 grams)**

Part No.	% C	% H	% N	% O	% S
502-092	40.80–41.20	5.46–5.54	9.52–9.60	—	—

**EDTA (250 grams)**

Part No.	% C	% H	% N	% O	% S
502-092-250	40.80–41.20	5.46–5.54	9.52–9.60	—	—

**DURENE (10 grams)**

Part No.	% C	% H	% N	% O	% S
502-101	89.49	10.51	—	—	—

**STEARIC ACID (5 grams)**

Part No.	% C	% H	% N	% O	% S
502-203	76.00	12.76	—	—	—

**DINITROBENZOIC ACID (5 grams)**

Part No.	% C	% H	% N	% O	% S
502-204	40.39	1.92	11.54	46.15	—

**CAFFEINE (5 grams)**

Part No.	% C	% H	% N	% O	% S
502-205	49.48	5.15	28.87	16.50	—

**CYSTINE (5 grams)**

Part No.	% C	% H	% N	% O	% S
502-207	29.99	5.03	11.65	26.65	26.68

**SULFAMETHAZINE (5 grams)**

Part No.	% C	% H	% N	% O	% S
502-209	51.78	5.07	20.13	11.5	11.52

**CERTIFIED REFERENCE MATERIALS****WHITE MINERAL OIL (4 oz./118 ml)**

Part No.	% S	Part No.	% S
502-417	0.01	502-421	1.0
502-418	0.05	502-422	2.0
502-419	0.10	502-423	3.0
502-420	0.50		

**DIESEL FUEL (4 oz./118 ml)**

Part No.	% S	Part No.	% S
502-424	0.01	502-429	1.0
502-425	0.03	502-430	2.0
502-426	0.05	502-431	3.0
502-427	0.10	502-432	4.5
502-428	0.50		

NOTE: Part numbers and standards' values may change. Consult LECO for latest information.