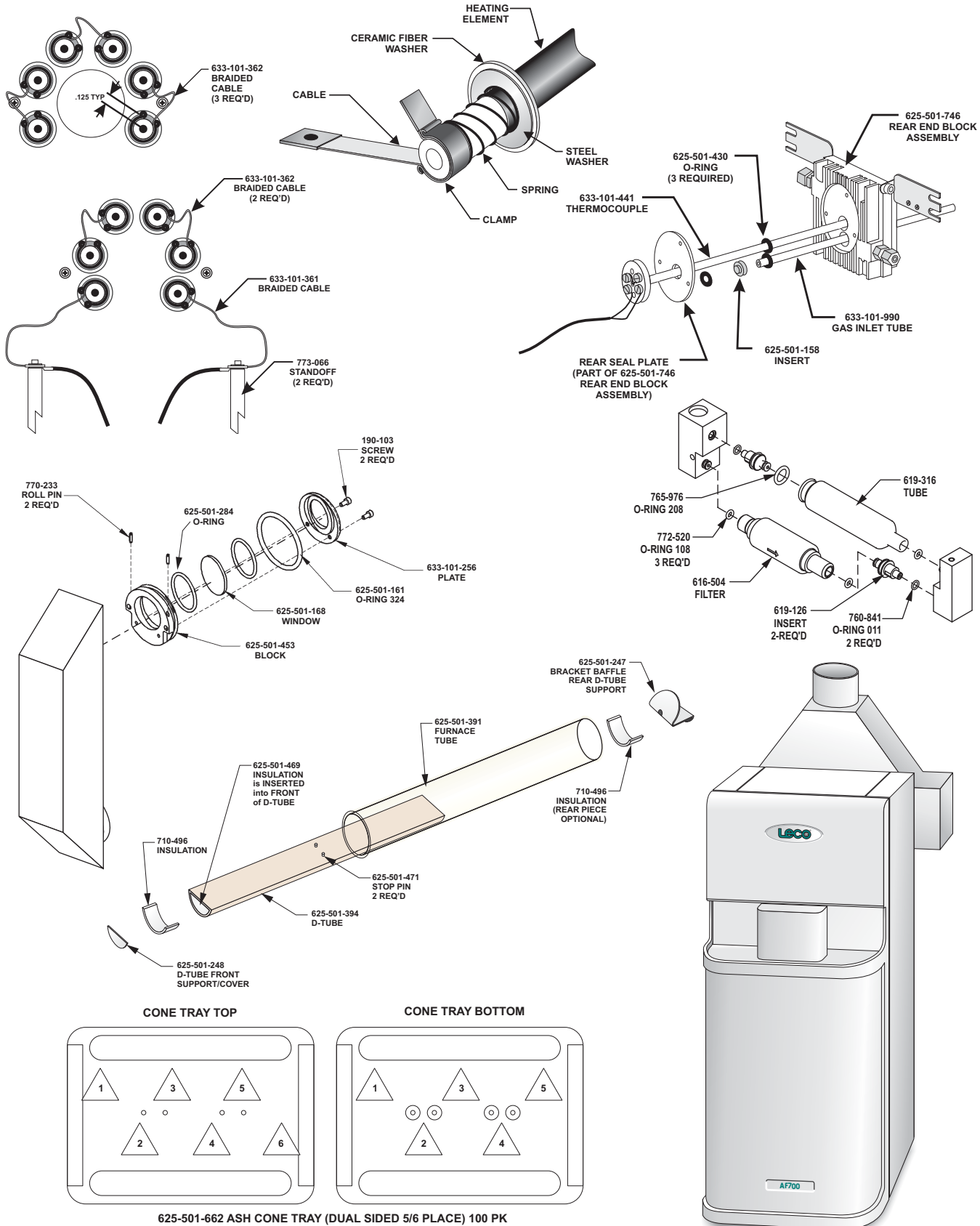


Note: Part numbers and standards' values may change. Consult LECO for the latest information.



See reverse side for contact information

GENERAL OPERATING SUPPLIES

625-501-431 Door Interlock Bypass Key
 761-929 Tongs
 625-501-662 Ash Cone Tray
 (Dual sided, 5 and 6 place, 100/pkg)
 776-957 Ash Cone Mold, ASTM D1857
 625-501-363 Ash Cone Tray Tool
 776-958 Spatula
 502-496 Gold Wire Calibration Standard
 (6 in. x 0.2 in. diameter)
 501-951 Nickel Wire Calibration Standard
 (6 in. x 0.2 in. diameter)
 502-010 Dextrin Solution
 501-233-HAZ Ceramic Alumina Adhesive
 625-501-471 Test Pin Tray (Metal)
 763-265 Glass Wool (0.5 lb)
 616-504 Filter (0.01 micron)

FURNACE AREA AND GLASSWARE

613-564 T-Clamp Expansion Tool
 625-501-328 AF700 Replacement Heating Element Kit including:
 (2) 633-101-361 Braided Wire w/Clip
 (5) 633-101-362 Braided Wire
 (2) 625-501-149 O-Ring
 (12) 633-103-092 Ceramic Fiber Washer
 (3) 625-501-430 O-Ring
 (1) 625-501-464 Heating Element
 (3/4 inch—6 in set)
 (12) 625-501-470 Heating Element Clamp
 (3/4 inch)
 625-501-361 AF700 Replacement Furnace Tube Kit
 including:
 (2) 625-501-149 O-Ring
 (1) 625-501-161 O-Ring
 (2) 625-501-382 Ring Insulation
 (1) 625-501-391 Mullite Furnace Tube
 (3) 625-501-430 O-Ring
 633-103-027 AF700 High Temperature Kit including:
 (12) 190-728 Screws
 (12) 193-055 Washer
 (2) 625-501-149 O-Ring
 (12) 633-103-092 Ceramic Fiber Washer
 (2) 625-501-382 Ring Insulation
 (3) 625-501-430 O-Ring
 (1) 625-501-464 Heating Element Set
 (3/4-inch—6 in set)
 (2) 633-101-991 SST Braided Wire w/Clip
 (5) 633-101-992 SST Braided Wire
 (12) 194-172 Hex Nut
 (1) 633-101-997 Alumina Furnace Tube
 625-501-394 Mullite D-Tube
 633-101-990 Mullite Furnace Gas Inlet
 633-101-441 Furnace Thermocouple

*NOTES: Part numbers and standards' values may change.
 Consult LECO for latest information.*